

CLVA-2G4G-80 is an analog controlled attenuator that operates over the 2.0 to 4.0 GHz frequency range. This model utilizes a control voltage ranging from 0 V to 5 V for a corresponding 0-80 dB attenuation.

Features:

- Wide Band Operation 2.0-4.0 GHz
- 80 dB attenuation range
- High Speed,Low Loss,High Precision

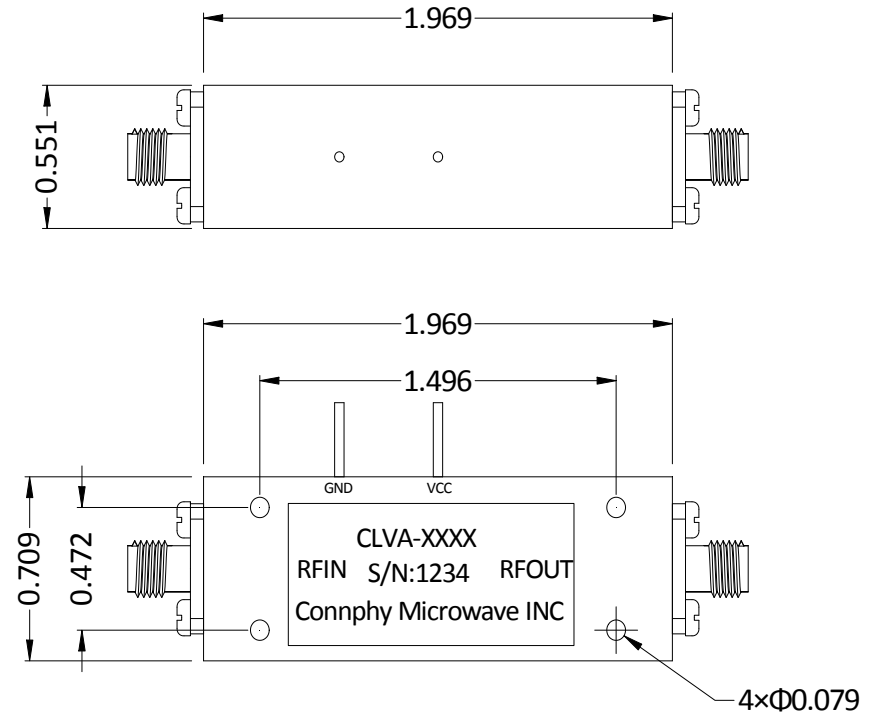
Specifications:


Frequency Range: 2.0-4.0 GHz
 Insertion Loss: 1.7 dB Max
 VSWR Input: 1.5:1 Max
 VSWR Output: 1.5:1 Max
 Attenuation Range: 0-80 dB
 Attenuator Flatness: +/-1.0dB
 Control Voltage: 0 to +5 Volts
 Power Handling: +23 dBm Max
 Switching Speed: 1us Typ

Environmental Ratings:

Temperature: -40°C to +60 °C Operating
 -55 °C to +85°C Storage
 Vibration: MIL-STD-202F, Method 204D Cond. B
 Altitude: MIL-STD-202F, Method 105C Cond. B
 Temperature Cycle: MIL-STD-202F, Method 107D Cond. A

Mechanical Outline(Inches):



Absorptive VoltageControl Attenuator CLVA-2G4G-80			
DRAWN:	DWG NO.:	REV CODE: Rev.1.0	 www.connphy.com sales@connphy.com
CHECKRD:	DATE: 08/07/15	SHEET : 1 OF 1	
ISSUED:	SIZE: A	SCALE : N / A	
			Notes: SPEC ARE SUBJECT TO CHANGE WITHOUT NOTICE.