

**CLVA-10M2G-60** is an analog controlled attenuator that operates over the 10 MHz to 2.0 GHz frequency range. This model utilizes a control voltage ranging from 12 V to 15 V for a corresponding 0-60 dB attenuation.

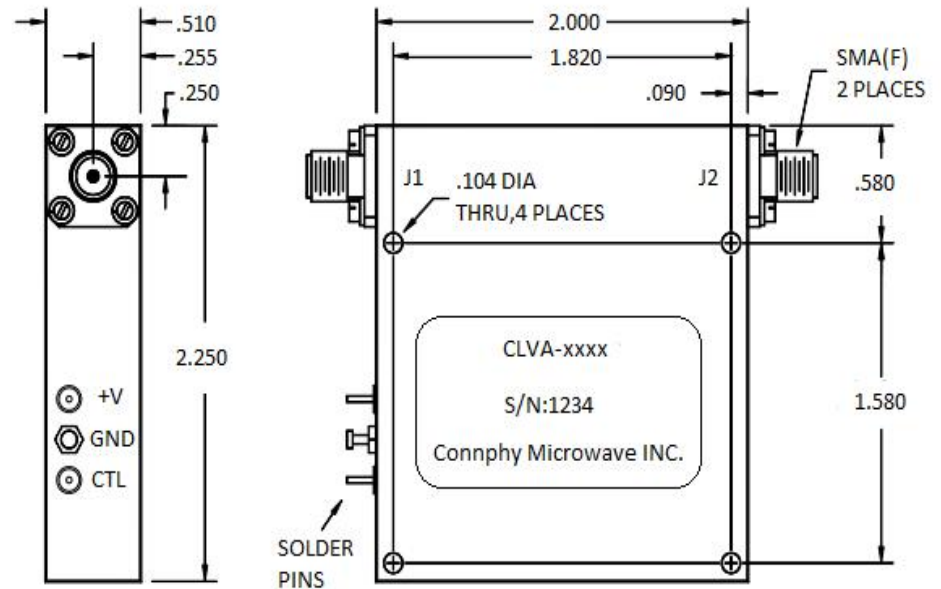
**Features:**

- Operation 10MHz-2.0 GHz
- 60 dB attenuation range
- Low Insertion Loss and Low Phase Error

**Specifications:**


Frequency Range: 10MHz-2.0 GHz  
 Insertion Loss: 4.5 dB Max  
 VSWR: 1.7:1 Max  
 Attenuation Range: 60 dB  
 Control Function: 0-6V (Impedance = 5-10K)  
 Attenuator Accuracy: +/-0.5 dB@0-30 dB  
 +/-0.8 dB@30-60 dB  
 Control Voltage: +12 to +15 V @170 mA  
 -12 to -15 V @60 mA  
 Operating Power: +14 dBm Max  
 Power Handling: +30 dBm Max  
 Connectors: SMA Female

**Mechanical Outline(Inches):**



**Environmental Ratings:**

Temperature: -25°C to +60 °C Operating  
 -55 °C to +85°C Storage  
 Vibration: MIL-STD-202F, Method 204D Cond. B  
 Altitude: MIL-STD-202F, Method 105C Cond. B  
 Temperature Cycle: MIL-STD-202F, Method 107D Cond. A

Analog Controlled Attenuator CLVA-10M2G-60			
DRAWN:	DWG NO.:	REV CODE: Rev.1.0	 <a href="http://www.connphy.com">www.connphy.com</a> <a href="mailto:sales@connphy.com">sales@connphy.com</a>
CHECKRD:	DATE: 08/07/15	SHEET : 1 OF 1	
ISSUED:	SIZE: A	SCALE : N / A	
			Notes: SPEC ARE SUBJECT TO CHANGE WITHOUT NOTICE.