

CLVA-0.6G6G-60 is an analog controlled attenuator that operates over the 0.6 to 6.0 GHz frequency range. This model utilizes a control voltage ranging from 12 V to 15 V for a corresponding 0-60 dB attenuation.

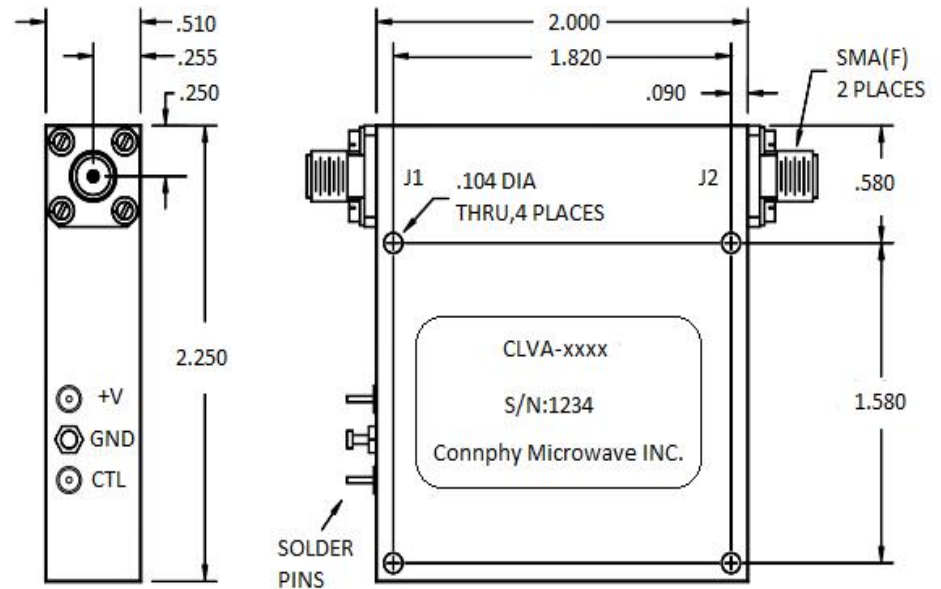
Features:

- Operation 0.6-6.0 GHz
- 60 dB attenuation range
- Low Insertion Loss and Low Phase Error

Specifications:


Frequency Range: 0.6-6.0 GHz
 Insertion Loss: 3.8 dB Max
 VSWR: 1.8:1 Max
 Attenuation Range: 0-60 dB
 Control Function: 0-6V (Impedance = 5-10K)
 Attenuator Accuracy: +/-0.5 dB@0-30 dB
 +/-1.0 dB@30-60 dB
 Control Voltage: +12 to +15 V @150 mA
 -12 to -15 V @60 mA
 Operating Power: +17 dBm Max
 Power Handling: +30 dBm Max
 Connectors: SMA Female

Mechanical Outline(Inches):



Environmental Ratings:

Temperature: -25°C to +60 °C Operating
 -55 °C to +85°C Storage
 Vibration: MIL-STD-202F, Method 204D Cond. B
 Altitude: MIL-STD-202F, Method 105C Cond. B
 Temperature Cycle: MIL-STD-202F, Method 107D Cond. A

Analog Controlled Attenuator CLVA-0.6G6G-60			
DRAWN:	DWG NO.:	REV CODE: Rev.1.0	 www.connphy.com sales@connphy.com
CHECKRD:	DATE: 08/07/15	SHEET : 1 OF 1	
ISSUED:	SIZE: A	SCALE : N / A	
			Notes: SPEC ARE SUBJECT TO CHANGE WITHOUT NOTICE.