

CLVA-0.5G2G-60 is an analog controlled attenuator that operates over the 0.5 to 2.0 GHz frequency range. This model utilizes a control voltage ranging from 0 V to 5 V for a corresponding 0-60 dB attenuation.

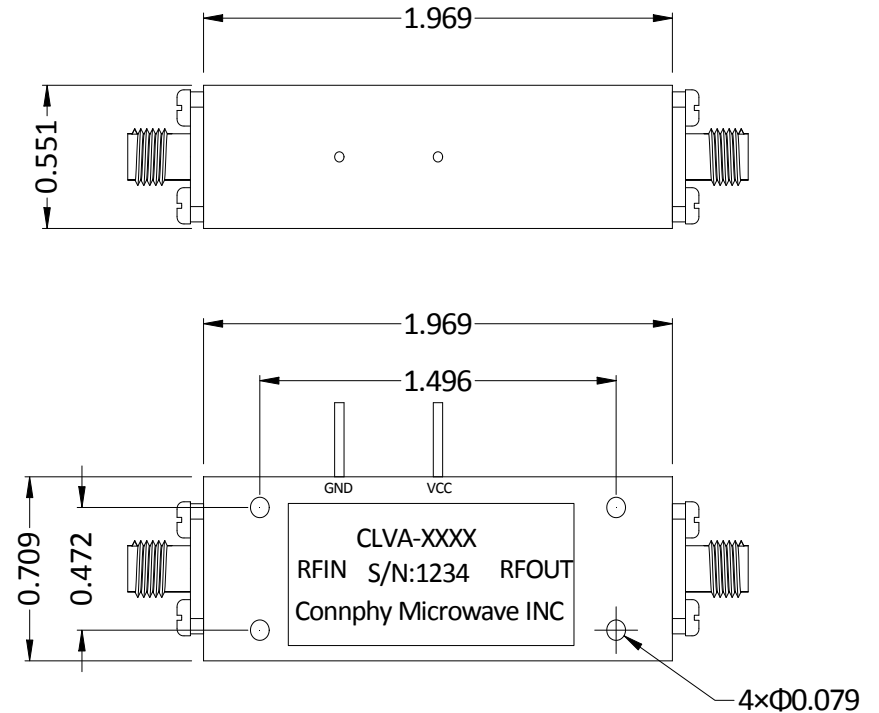
Features:

- Operation 0.5-2.0 GHz
- 60 dB attenuation range
- High Speed,Low Loss,High Precision

Specifications:


Frequency Range: 0.5-2.0 GHz
 Insertion Loss: 1.0 dB Max
 VSWR Input: 1.9:1 Max
 VSWR Output: 1.9:1 Max
 Attenuation Range: 0-60 dB
 Attenuator Flatness: +/-2.5dB
 Control Voltage: 0 to +5 Volts
 Power Handling: +27 dBm Max
 Switching Speed: 1us Typ

Mechanical Outline(Inches):



Environmental Ratings:

Temperature: -40°C to +60 °C Operating
 -55 °C to +85°C Storage
 Vibration: MIL-STD-202F, Method 204D Cond. B
 Altitude: MIL-STD-202F, Method 105C Cond. B
 Temperature Cycle: MIL-STD-202F, Method 107D Cond. A

Analog Controlled Attenuator CLVA-0.5G2G-60			
DRAWN:	DWG NO.:	REV CODE: Rev.1.0	 www.connphy.com sales@connphy.com
CHECKRD:	DATE: 08/07/15	SHEET : 1 OF 1	
ISSUED:	SIZE: A	SCALE : N / A	
			Notes: SPEC ARE SUBJECT TO CHANGE WITHOUT NOTICE.