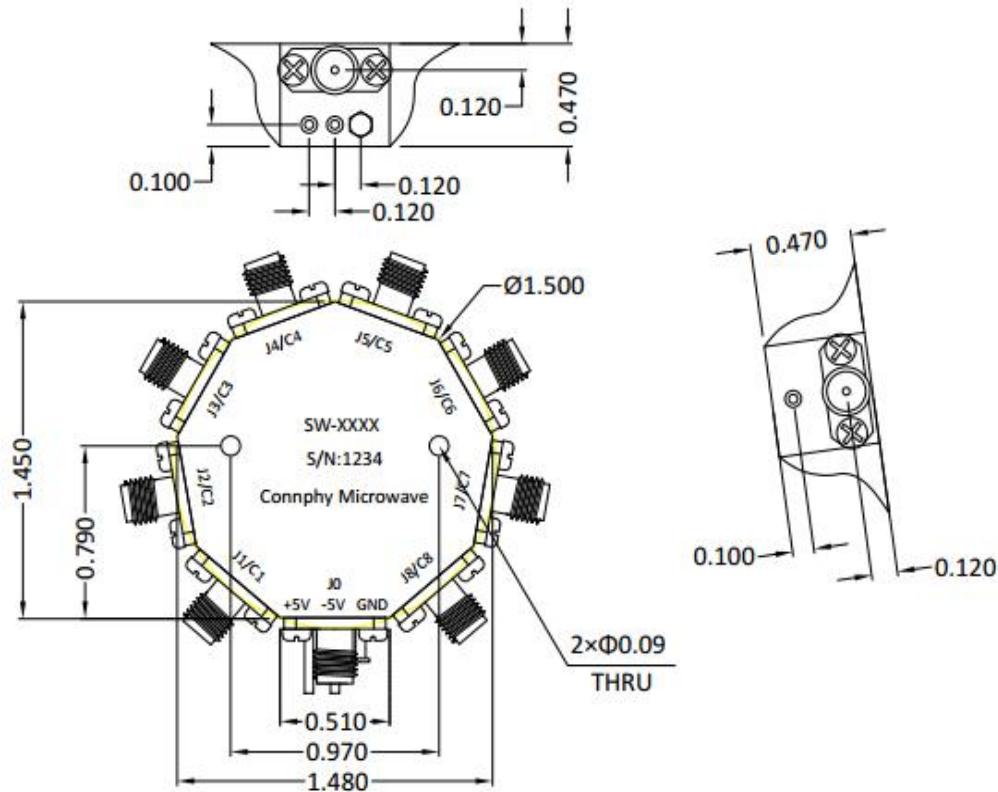


SW-0.5G40G-8A-K is a single pole, eight throw, absorptive switch designed to operate over the 0.5 to 40.0GHz frequency range. This model is designed to handle 23dBm max input power. The switch offers fast switching speeds of 50nsec max., low insertion loss of 5.0dB typ. and high isolation of 55dB min. The DC supplies are 100mA @ ±5 V.

Mechanical Outline(Unit: Inch):



Environmental Ratings:

Temperature: -25°C to +71 °C Operating
 -65 °C to +100 °C Non-Operating
 Vibration: MIL-STD-202F, Method 204D Cond. B
 Altitude: MIL-STD-202F, Method 105C Cond. B

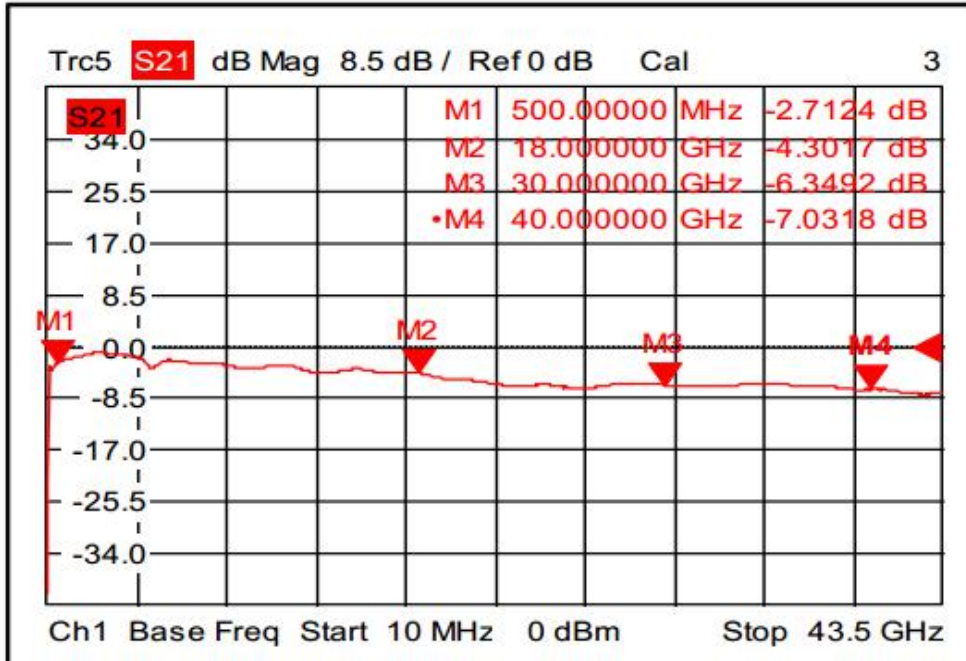
Specifications:

Frequency: 0.5 to 40.0GHz
 Insertion Loss: 5.0dB typ.
 7.1dB max
 Isolation: 70dB typ.
 55dB min
 Switching Speed: 50ns max
 Power Handling: 23dBm max
 VSWR: 3.0:1 max
 Voltage/Current: 100mA @ ±5 V typical
 Connectors: 2.92 Female
 Type: Absorptive
 Control logic: TTL
 TTL Truth Table: Cn=0, Others=1;
 Path State: J0-Jn

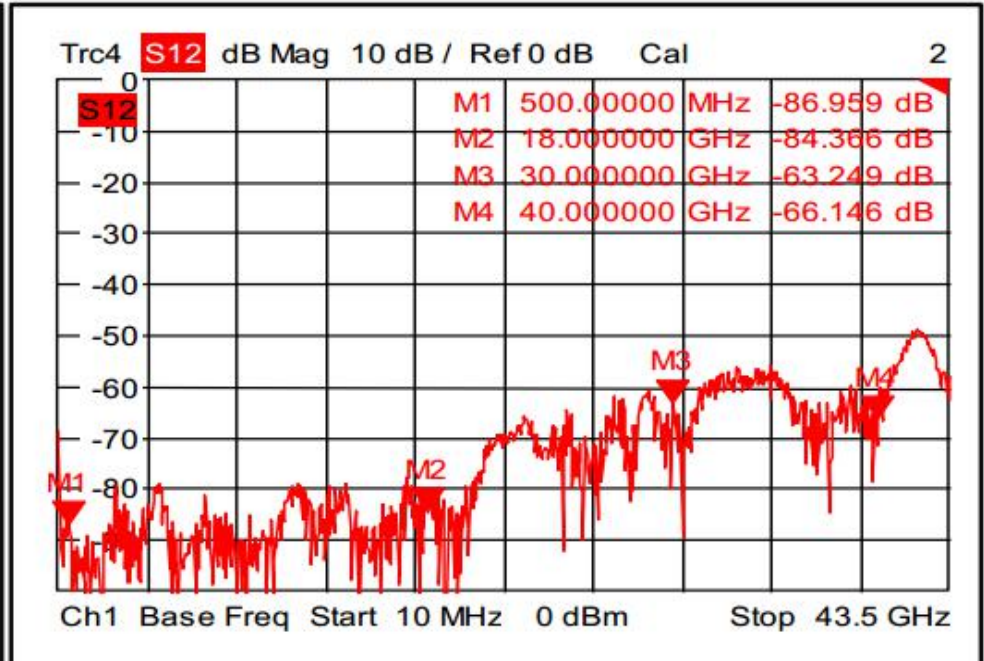
Pin Diode Switch SW-0.5G40G-8A-K			
DRAWN:	DWG NO.:	REV CODE: Rev.1.0	 www.connphy.com sales@connphy.com
CHECKRD:	DATE: 20/05/16	SHEET : 1 OF 3	
ISSUED:	SIZE: A	SCALE : N / A	
			Notes: SPEC ARE SUBJECT TO CHANGE WITHOUT NOTICE.

SW-0.5G40G-8A-K is a single pole, eight throw, absorptive switch designed to operate over the 0.5 to 40.0GHz frequency range. This model is designed to handle 23dBm max input power. The switch offers fast switching speeds of 50nsec max., low insertion loss of 5.0dB typ. and high isolation of 55dB min. The DC supplies are 100mA @ ±5 V.

Typical Performance:



Insertion Loss

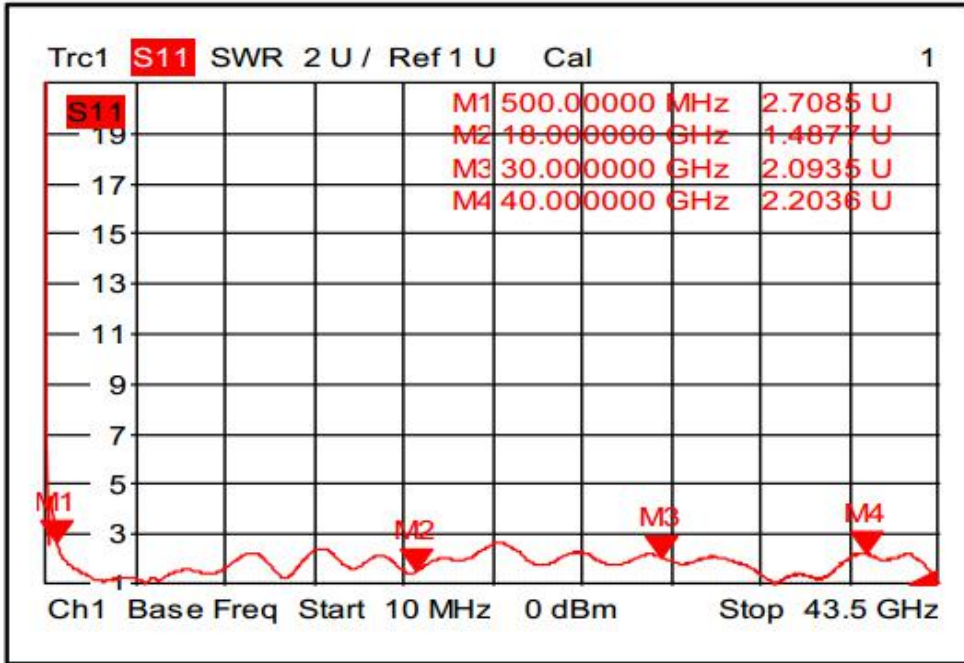


Isolation

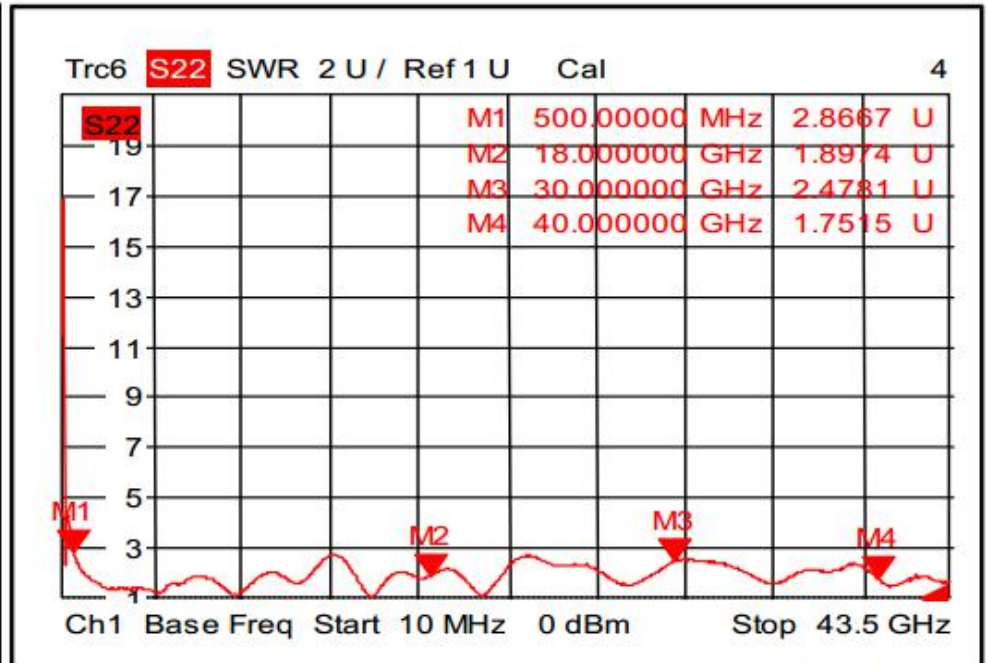
Pin Diode Switch SW-0.5G40G-8A-K			
DRAWN:	DWG NO.:	REV CODE: Rev.1.0	 www.connphy.com sales@connphy.com
CHECKRD:	DATE: 20/05/16	SHEET : 2 OF 3	
ISSUED:	SIZE: A	SCALE : N / A	
			Notes: SPEC ARE SUBJECT TO CHANGE WITHOUT NOTICE.

SW-0.5G40G-8A-K is a single pole, eight throw, absorptive switch designed to operate over the 0.5 to 40.0GHz frequency range. This model is designed to handle 23dBm max input power. The switch offers fast switching speeds of 50nsec max., low insertion loss of 5.0dB typ. and high isolation of 55dB min. The DC supplies are 100mA @ ±5 V.


Typical Performance:



Input VSWR



Output VSWR

Pin Diode Switch SW-0.5G40G-8A-K			
DRAWN:	DWG NO.:	REV CODE: Rev.1.0	 www.connphy.com sales@connphy.com
CHECKRD:	DATE: 20/05/16	SHEET : 3 OF 3	
ISSUED:	SIZE: A	SCALE : N / A	
			Notes: SPEC ARE SUBJECT TO CHANGE WITHOUT NOTICE.