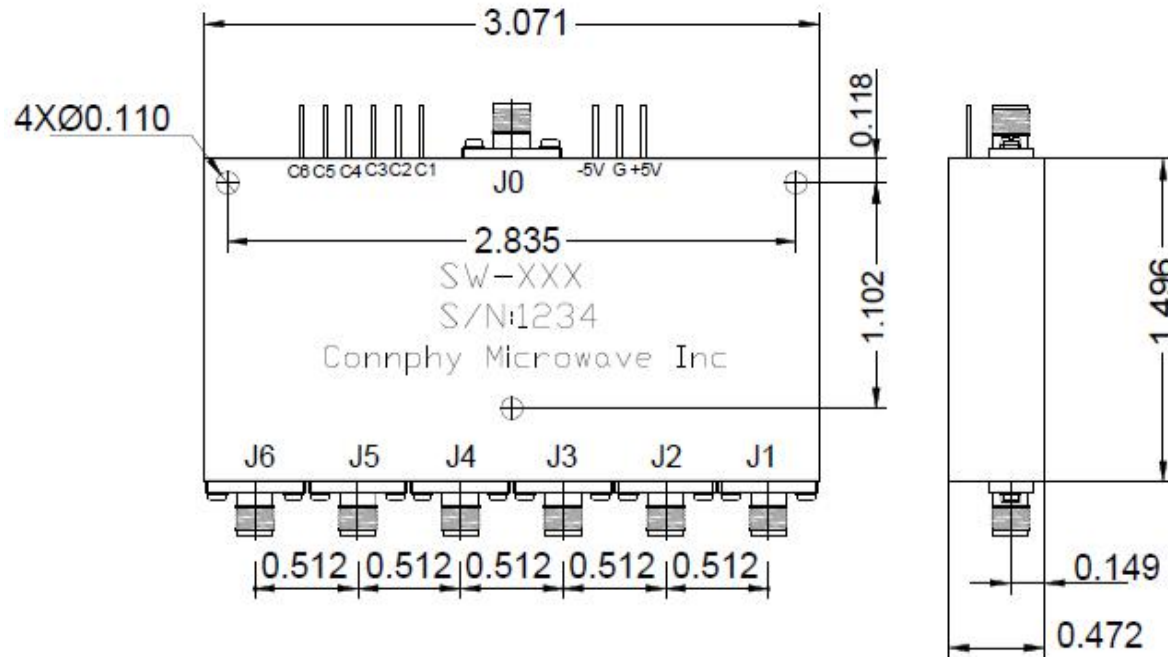


**SW-0.5G18G-6R-S** is a single pole, six throw, reflective switch designed to operate over the 0.5 to 18GHz frequency range. This model is designed to handle 27dBm max input power. The switch offers fast switching speeds of 50nsec max., low insertion loss of 3.7dB and high isolation of 80dB. The DC supplies are 180mA @ ±5 V.

**Mechanical Outline(Unit: Inch):**



**Specifications:**

|                  |                                      |
|------------------|--------------------------------------|
| Frequency:       | 0.5 to 18GHz                         |
| Insertion Loss:  | 3.7dB max                            |
| Isolation:       | 80dB min                             |
| Switching Speed: | 50ns max                             |
| Power Handling:  | 27dBm max                            |
| VSWR:            | 2.2:1 max                            |
| Voltage/Current: | 180mA @ ±5 V typical                 |
| Control logic:   | TTL                                  |
| Connectors:      | SMA Female                           |
| Type:            | Reflective                           |
| TTL Truth Table: | Cn=0, Others=1;<br>Path State: J0-Jn |

**Environmental Ratings:**

|              |  |
|--------------|--|
| Temperature: | -25°C to +71 °C Operating<br>-65 °C to +100 °C Non-Operating |
| Vibration:   | MIL-STD-202F, Method 204D Cond. B                            |
| Altitude:    | MIL-STD-202F, Method 105C Cond. B                            |

| Pin Diode Switch<br>SW-0.5G18G-6R-S |                   |                      |  |
|-------------------------------------|-------------------|----------------------|--|
| DRAWN:                              | DWG NO.:          | REV CODE:<br>Rev.1.0 | <br><a href="http://www.connphy.com">www.connphy.com</a><br><a href="mailto:sales@connphy.com">sales@connphy.com</a> |
| CHECKRD:                            | DATE:<br>20/05/16 | SHEET :<br>1 OF 1    |  |
| ISSUED:                             | SIZE:<br>A        | SCALE :<br>N / A     |  |
|                                     |                   |                      | Notes: SPEC ARE SUBJECT TO CHANGE WITHOUT NOTICE.  |