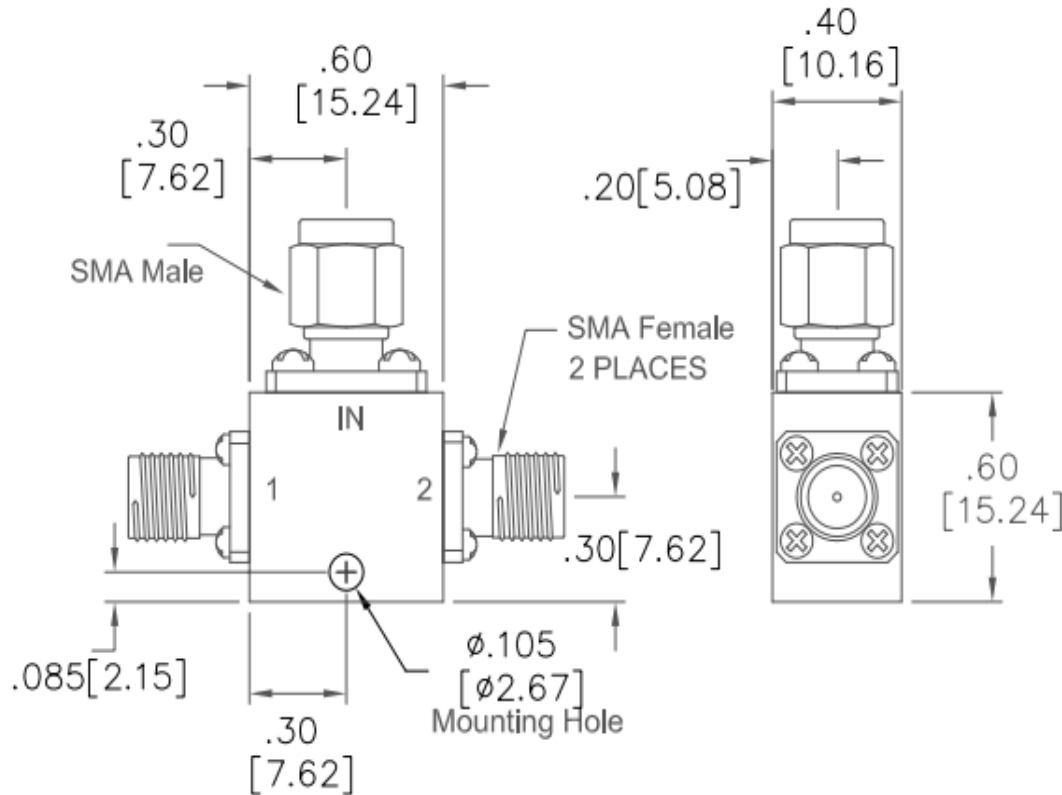


RPD-DC18G-02-S is a 2 way resistive power divider designed to operate over the DC - 18 GHz frequency range, with compact size. This model is designed to handle 0.5W max input power, and we could customize to support your special requirement with competitive cost and short lead time.

Mechanical Outline(Inch/mm):




Specifications:

Dividing into:	2 ways
Frequency:	DC-18GHz
Insertion Loss:	7.5dB Max
Power Handling:	0.5W Max
VSWR:	1.5:1
Amplitude balance:	0.5dB Max
Phase balance:	8° Max
Connectors:	SMA

Environmental Ratings:

Temperature:	-25°C to +71 °C Operating
	-65 °C to +100 °C Non-Operating
Vibration:	MIL-STD-202F, Method 204D Cond. B
Altitude:	MIL-STD-202F, Method 105C Cond. B
Temperature Cycle:	MIL-STD-202F, Method 107D Cond. A

Resistive Power Divider RPD-DC18G-02-S			
DRAWN:	DWG NO.:	REV CODE: Rev.1.0	 www.connphy.com sales@connphy.com
CHECKRD:	DATE: 02/07/15	SHEET : 1 OF 1	
ISSUED:	SIZE: A	SCALE : N / A	
			Notes: SPEC ARE SUBJECT TO CHANGE WITHOUT NOTICE.