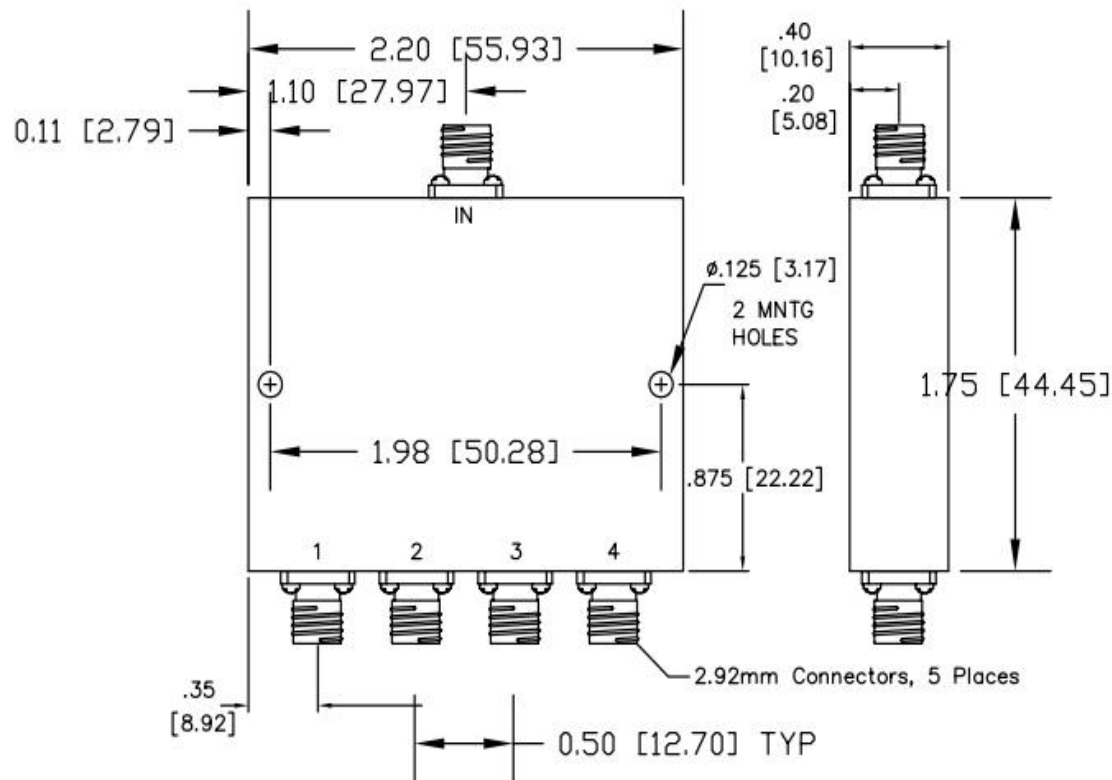


PD-4G45G-04-K is a 4 way power divider designed to operate over the 4.0-45.0 GHz frequency range, with compact size. This model is designed to handle 10W max input power, and also performs with low insertion loss of 5.0 dB max and high isolation of 10 dB min, and low VSWR of 2.0 max.

Mechanical Outline(Inch/mm):




Specifications:

Dividing into:	4 ways
Frequency:	4.0 to 45.0GHz
Insertion Loss:	5.0dB Max
Isolation:	10dB Min
Power Handling:	10W Max
VSWR:	2.0:1
Amplitude balance:	2.0dB Max
Phase balance:	15° Max
Connectors:	2.92 Female

Environmental Ratings:

Temperature:	-25°C to +71 °C Operating -65 °C to +100 °C Non-Operating
Vibration:	MIL-STD-202F, Method 204D Cond. B
Altitude:	MIL-STD-202F, Method 105C Cond. B
Temperature Cycle:	MIL-STD-202F, Method 107D Cond. A

Power Divider PD-4G45G-04-K			
DRAWN:	DWG NO.:	REV CODE: Rev.1.0	 www.connphy.com sales@connphy.com
CHECKRD:	DATE: 08/07/15	SHEET : 1 OF 1	
ISSUED:	SIZE: A	SCALE : N / A	
			Notes: SPEC ARE SUBJECT TO CHANGE WITHOUT NOTICE.