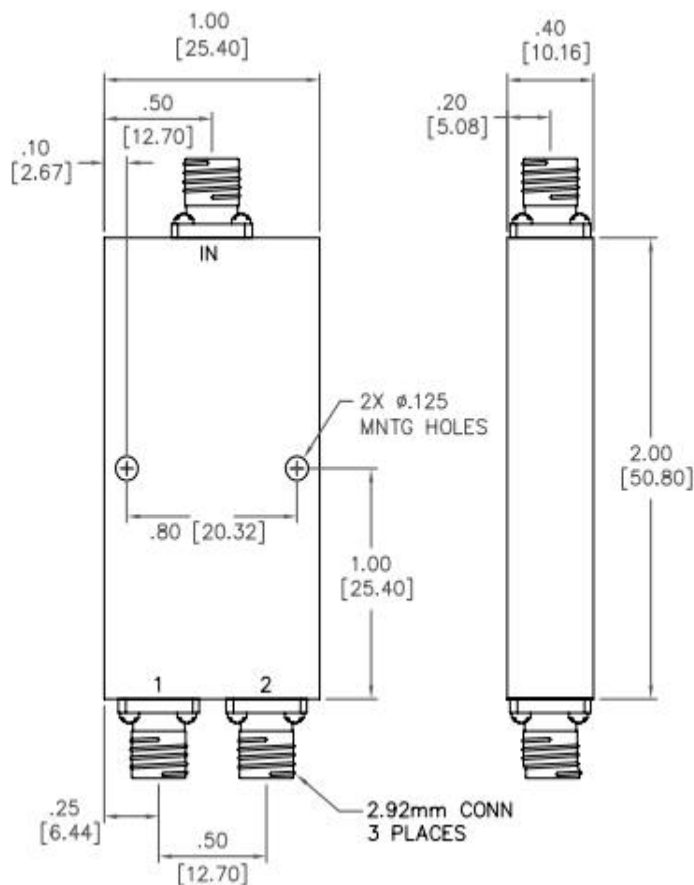


PD-1G40G-02-K is a 2 way power divider designed to operate over the 1.0-40.0GHz frequency range, with compact size. This model is designed to handle 10W max input power, and also performs with low insertion loss of 2.8dB max and high isolation of 10dB min, and low VSWR of 1.9 max.

Mechanical Outline(Inch/mm):



Environmental Ratings:

Temperature: -25°C to +71 °C Operating
 -65 °C to +100 °C Non-Operating


Vibration: MIL-STD-202F, Method 204D Cond. B

Altitude: MIL-STD-202F, Method 105C Cond. B

Temperature Cycle: MIL-STD-202F, Method 107D Cond. A

Specifications:

Dividing into: 2 ways
 Frequency: 1.0 to 40.0GHz
 Insertion Loss: 2.8dB Max
 Isolation: 10dB Min
 Power Handling: 10W Max
 VSWR: 1.9:1
 Amplitude balance: 0.6dB Max
 Phase balance: 8.0° Max
 Connectors: 2.92 Female

Power Divider PD-1G40G-02-K			
DRAWN:	DWG NO.:	REV CODE: Rev.1.0	 www.connphy.com sales@connphy.com
CHECKRD:	DATE: 08/07/15	SHEET : 1 OF 1	
ISSUED:	SIZE: A	SCALE : N / A	Notes: SPEC ARE SUBJECT TO CHANGE WITHOUT NOTICE.