

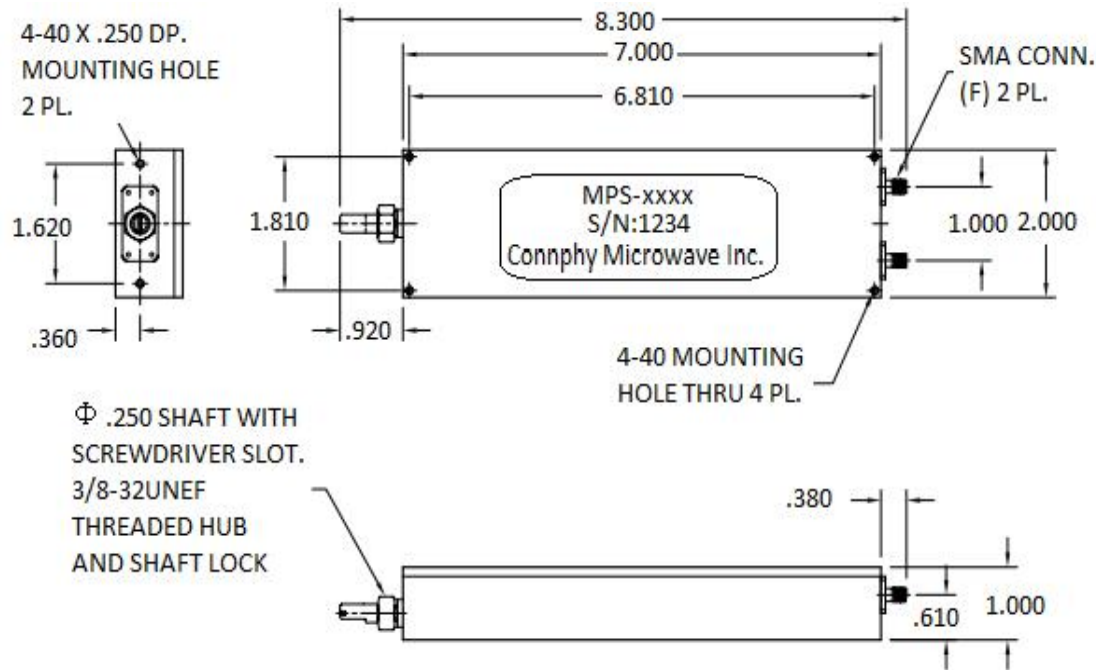
MPS-DC26.5G-90-S 0 - 90°/GHz Models achieve 90° minimum of phase shift @ 1GHz, actual phase shift varies linearly, corresponding to the Frequency unit is operating at.

Example:

If operated @ 2GHz, the unit can achieve 180° phase shift min.,

If operated @ 4GHz operation, the unit can achieve 360° phase shift min., and so on.

Mechanical Outline(Inch):



Environmental Ratings:


Temperature: -25°C to +71 °C Operating
 -65 °C to +100 °C Non-Operating
 Vibration: MIL-STD-202F, Method 204D Cond. B
 Altitude: MIL-STD-202F, Method 105C Cond. B
 Temperature Cycle: MIL-STD-202F, Method 107D Cond. A

Electrical Specifications:

Frequency range: DC to 26.5 G
 Adjustable Phase shift: 0 to 90°/GHz
 Insertion loss: 1.7 dB max
 VSWR: 2:1 max
 Power: 100W average, 3kW peak
 Connectors: SMA
 Adjustable Group Delay: 0 to 0.254 ns
 Settable: One rotation at 1.0GHz is approx 3.5°
 Temperature Stability: 0.025°/DC°/GHz

Mechanical Specification:

Size: 7" x 2" x 1.0"
 Body: Aluminum
 Connectors: Stainless Steel
 Control: 0.25" dia. multi-turn Non-translating shaft, with approx. 27 turns from min to max phase adjust

Manual Phase Shifter MPS-DC26.5G-90-S			
DRAWN:	DWG NO.:	REV CODE: Rev.1.0	 www.connphy.com sales@connphy.com
CHECKRD:	DATE: 12/09/15	SHEET : 1 OF 1	
ISSUED:	SIZE: A	SCALE : N / A	
			Notes: SPEC ARE SUBJECT TO CHANGE WITHOUT NOTICE.