

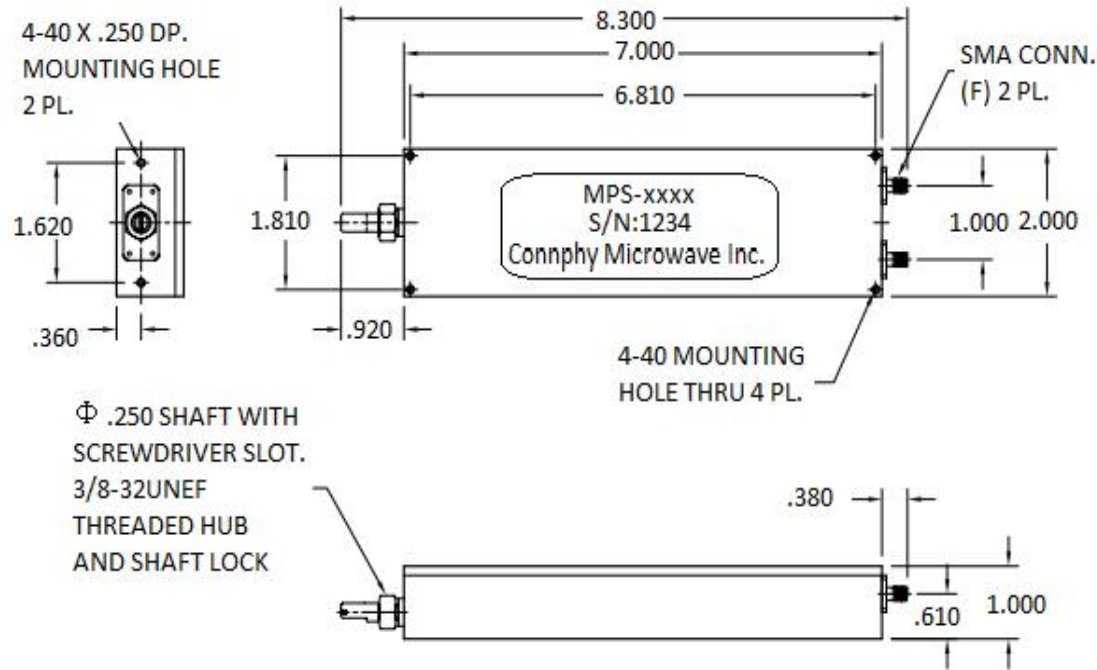
**MPS-DC18G-90-S** 0 - 90°/GHz Models achieve 90° minimum of phase shift @ 1GHz, actual phase shift varies linearly, corresponding to the Frequency unit is operating at.

Example:

If operated @ 2GHz, the unit can achieve 180° phase shift min.,

If operated @ 4GHz operation, the unit can achieve 360° phase shift min., and so on.

### Mechanical Outline(Inch):



### Electrical Specifications:

Frequency range:	DC to 18 G
Adjustable Phase shift:	0 to 90°/GHz
Insertion loss:	1dB Max
VSWR:	1.6:1 Max
Power:	100 W average, 3kW peak
Connectors:	SMA
Adjustable Group Delay:	0 to 0.254 ns
Settable:	One rotation at 1.0GHz is approx 3.5°
Temperature Stability:	0.025°/DC°/GHz


### Mechanical Specification:

Size:	7" x 2" x 1.0"
Body:	Aluminum
Connectors:	Stainless Steel
Control:	0.25" dia. multi-turn Non-translating shaft, with approx. 27 turns from min to max phase adjust

### Environmental Ratings:

Temperature:	-25°C to +71 °C Operating -65 °C to +100 °C Non-Operating
Vibration:	MIL-STD-202F, Method 204D Cond. B
Altitude:	MIL-STD-202F, Method 105C Cond. B
Temperature Cycle:	MIL-STD-202F, Method 107D Cond. A

### Manual Phase Shifter MPS-DC18G-90-S

DRAWN:	DWG NO.:	REV CODE: Rev.1.0	 <a href="http://www.connphy.com">www.connphy.com</a> <a href="mailto:sales@connphy.com">sales@connphy.com</a>
CHECKRD:	DATE: 12/09/15	SHEET : 1 OF 1	
ISSUED:	SIZE: A	SCALE : N / A	
			Notes: SPEC ARE SUBJECT TO CHANGE WITHOUT NOTICE.