

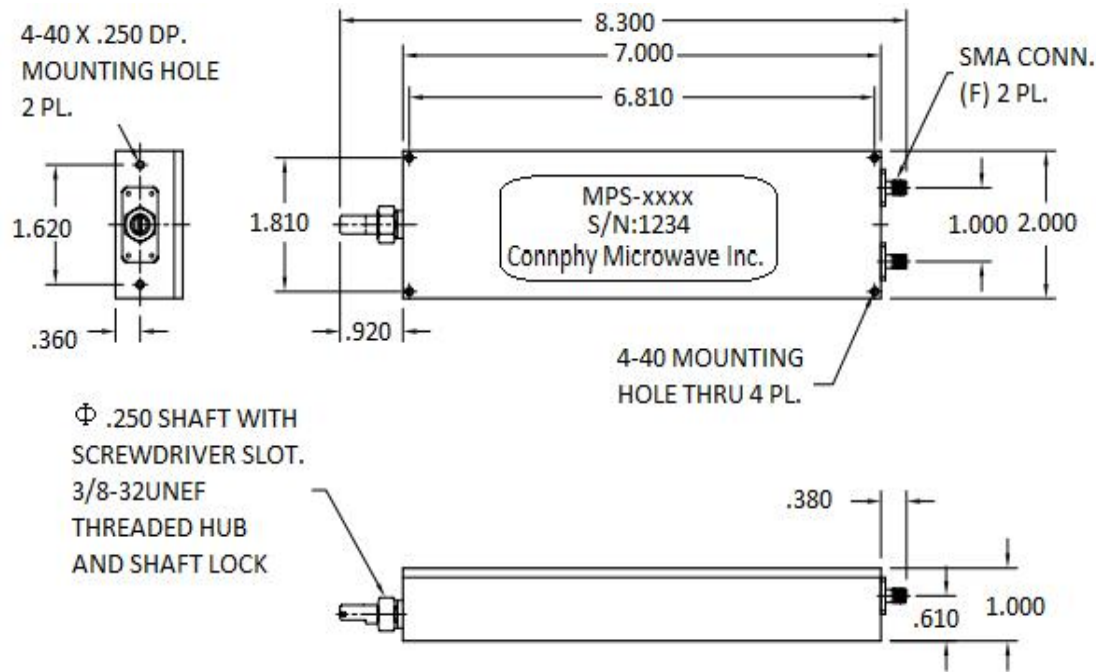
**MPS-DC12.6G-90-S 0 - 90°/GHz Models** achieve 90° minimum of phase shift @ 1GHz, actual phase shift varies linearly, corresponding to the Frequency unit is operating at.

Example:

If operated @ 2GHz, the unit can achieve 180° phase shift min.,

If operated @ 4GHz operation, the unit can achieve 360° phase shift min., and so on.

### Mechanical Outline(Inch):



### Environmental Ratings:

Temperature: -25°C to +71 °C Operating  
-65 °C to +100 °C Non-Operating

Vibration: MIL-STD-202F, Method 204D Cond. B

Altitude: MIL-STD-202F, Method 105C Cond. B

Temperature Cycle: MIL-STD-202F, Method 107D Cond. A

### Electrical Specifications:

Frequency range: DC to 12.6 G

Adjustable Phase shift: 0 to 90°/GHz

Insertion loss: 0.7 dB Max

VSWR: 1.5:1 Max

Power: 100W average, 3kW peak

Connectors: SMA

Adjustable Group Delay: 0 to 0.254 ns

Settable: One rotation at 1.0GHz is approx 3.5°

Temperature Stability: 0.025°/DC°/GHz

### Mechanical Specification:

Size: 7" x 2" x 1.0"

Body: Aluminum

Connectors: Stainless Steel

Control: 0.25" dia. multi-turn Non-translating shaft, with approx. 27 turns from min to max phase adjust

### Manual Phase Shifter MPS-DC12.6G-90-S

DRAWN:	DWG NO.:	REV CODE: Rev.1.0	 <a href="http://www.connphy.com">www.connphy.com</a> <a href="mailto:sales@connphy.com">sales@connphy.com</a>
CHECKRD:	DATE: 12/09/15	SHEET : 1 OF 1	
ISSUED:	SIZE: A	SCALE : N / A	
			Notes: SPEC ARE SUBJECT TO CHANGE WITHOUT NOTICE.