

**CVPS-4G8G-360** is a 4 to 8 GHz, Analog Phase Shifter with Capability for Phase Shifting from 0 to 360 Degrees.

Features:

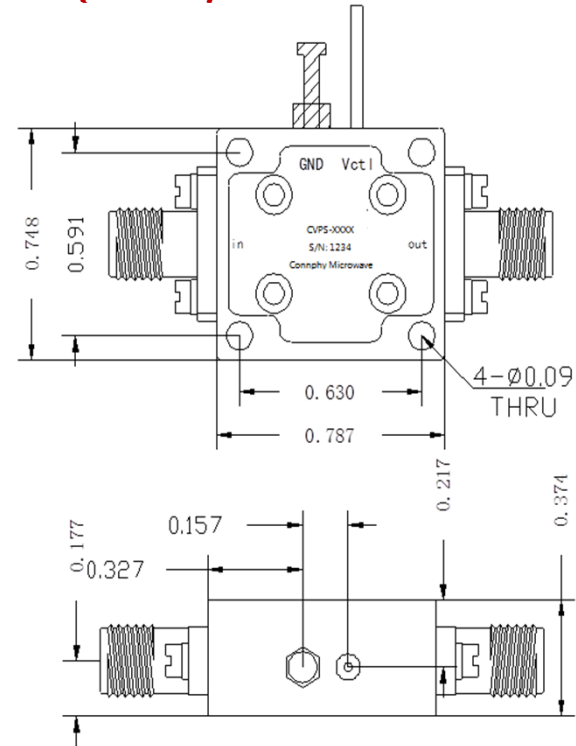
- Low Insertion Loss
- Low VSWR
- Wide Phase Shift Range

### Specifications:

Frequency Range: 4.0-8.0 GHz  
 Insertion Loss: 6.0 dB Max  
 Phase Range: 0-360°  
 Amplitude Ripple: +/-1.5 dB  
 VSWR(dB): 2.5:1 Max  
 Phase Shift Flatness: ±8° Typ., ±12° Max  
 Control Voltage: 0- +10V DC  
 No damage: 1 W CW Max

Notes: Other phase shift value will be available on request.

### Mechanical Outline(Inches) :



### Environmental Ratings:

Temperature: -25°C to +71 °C Operating  
 -65 °C to +100 °C Non-Operating  
 Vibration: MIL-STD-202F, Method 204D Cond. B  
 Altitude: MIL-STD-202F, Method 105C Cond. B  
 Temperature Cycle: MIL-STD-202F, Method 107D Cond. A

### Octave-Band Analog Phase Shifters CVPS-4G8G-360

DRAWN:	DWG NO.:	REV CODE: Rev.1.0	 <a href="http://www.connphy.com">www.connphy.com</a> <a href="mailto:sales@connphy.com">sales@connphy.com</a>
CHECKRD:	DATE: 08/07/15	SHEET : 1 OF 1	
ISSUED:	SIZE:	SCALE : N / A	
			Notes: SPEC ARE SUBJECT TO CHANGE WITHOUT NOTICE.