

CDAT-15M2G-127-7 is an digital controlled attenuator that operates over the 15MHz to 2.0 GHz frequency range. This model utilizes 7 bits control, the corresponding attenuation is 0-127 dB.

Features:

- Wide Bandwidth
- Fast Response
- Low VSWR
- Miniature Size

Specifications:

Frequency Range:	15 MHz- 2.0 GHz
Attenuation Range:	127 dB Max
Insertion Loss:	5.5 dB Typ, 6.0 dB Max
Attenuation Flatness:	+/-2% Max
VSWR:	1.5:1 Max
Control Bits:	7 bits
Least Significant Bit (LSB):	1 dB
Control Logic:	TTL
Power Handling:	+10 dBm CW Max
Power Supply:	+5 V @ 300 mA Typ
Switching Time:	10 ms Max

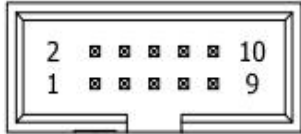
Environmental Ratings:


Temperature:	-45°C to +85 °C Operating -55 °C to +125 °C Non-Operating
Vibration:	MIL-STD-202F, Method 204D Cond. B
Altitude:	MIL-STD-202F, Method 105C Cond. B
Temperature Cycle:	MIL-STD-202F, Method 107D Cond. A

Mechanical Specifications:

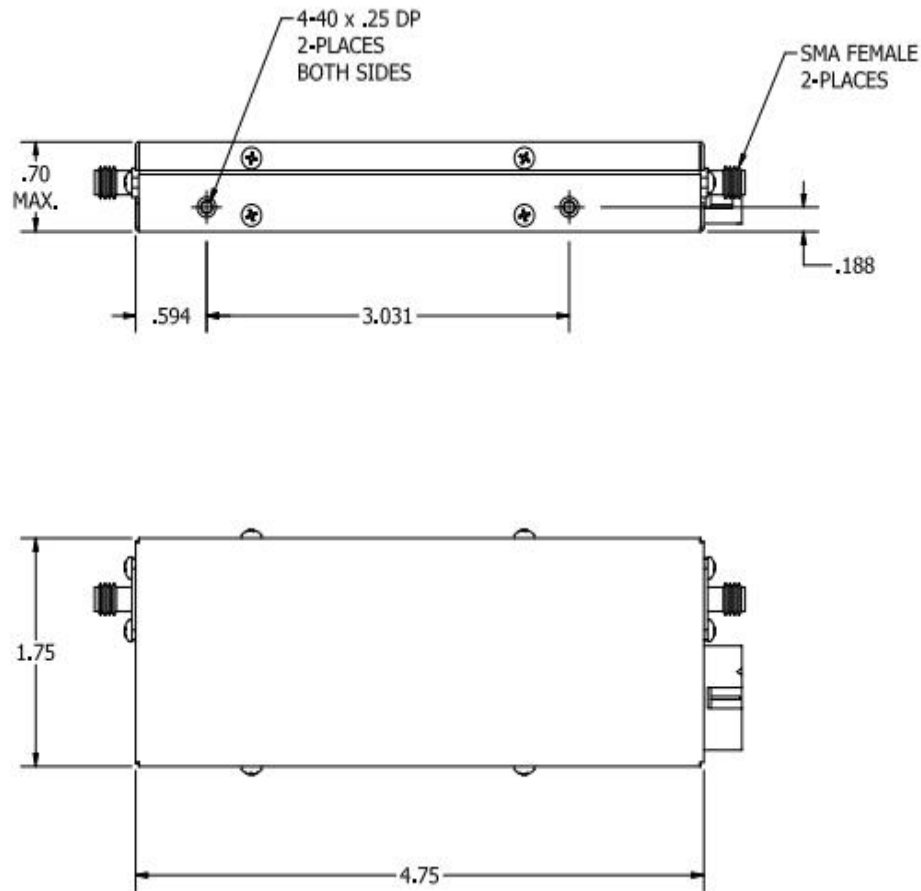
Parameter	Specification
Dimensions WxHxD	4.75X1.75X0.70 inches
RF Connectors In/Out	SMA-Female
DC Connector	3M #30310-6002HB
Material	Aluminum

DC Connector PIN Assignment:

Pin	Function	Pin Definition
1-7	Bit1-Bit7	
8	NC	
9	+5V DC	
10	GND	

Digital Control PIN Attenuators CDAT-15M2G-127-7			
DRAWN:	DWG NO.:	REV CODE: Rev.1.0	 www.connphy.com sales@connphy.com
CHECKRD:	DATE: 08/07/15	SHEET : 1 OF 2	
ISSUED:	SIZE: A	SCALE : N / A	Notes: SPEC ARE SUBJECT TO CHANGE WITHOUT NOTICE.

Mechanical Outline (Inches):



Truth Table :


Control TTL Input for 6 bits resolution							Attenuation
Bit 7	Bit 6	Bit 5	Bit 4	Bit 3	Bit 2	Bit 1	
0	0	0	0	0	0	0	Reference
0	0	0	0	0	0	1	1.0 dB
0	0	0	0	0	1	0	2.0 dB
0	0	0	0	1	0	0	4.0 dB
0	0	0	1	0	0	0	8.0 dB
0	0	1	0	0	0	0	16.0 dB
0	1	0	0	0	0	0	32.0 dB
1	0	0	0	0	0	0	64.0 dB
1	1	1	1	1	1	1	127.0 dB

Environmental Ratings:

Temperature:	-45°C to +85 °C Operating -55 °C to +125 °C Non-Operating
Vibration:	MIL-STD-202F, Method 204D Cond. B
Altitude:	MIL-STD-202F, Method 105C Cond. B
Temperature Cycle:	MIL-STD-202F, Method 107D Cond. A

Digital Control PIN Attenuators

CDAT-15M2G-127-7

DRAWN:	DWG NO.:	REV CODE: Rev.1.0	 www.connphy.com sales@connphy.com
CHECKRD:	DATE: 08/07/15	SHEET : 2 OF 2	
ISSUED:	SIZE: A	SCALE : N / A	
			Notes: SPEC ARE SUBJECT TO CHANGE WITHOUT NOTICE.