

CMP-26G40G-3030-K is a Ka Band Amplifier providing up to 30 dBm at saturation and a gain of 30 dB. The compact size and modularity makes it ideal for a wide range of applications.

Features:

- 26-40 GHz full Ka-band operation frequency
- Built-in DC Voltage regulation
- High Output Power
- Heat Sink Fan is optional

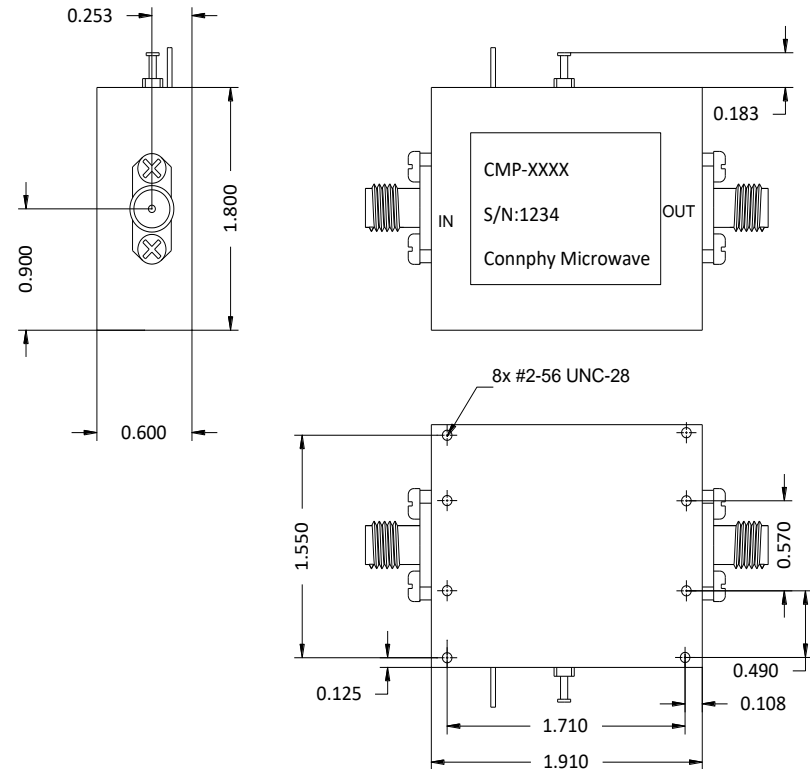
Specifications:

Frequency:	26.0-40.0 GHz
Gain:	30 dB Min
Gain Flatness:	±3 dB Max
Noise Figure:	8.0 dB Typ
Output Psat:	30 dBm Min
Input VSWR:	2.2:1 Max
Output VSWR:	2.2:1 Max
DC Voltage:	+12 to +15 VDC
DC Supply Current:	4500 mA Typ
Connectors:	2.92mm Female
RF Input Power:	20 dBm Max

Environmental Ratings:

Temperature:	-40 °C to +75 °C Operating -55 °C to +125 °C Non-Operating
Vibration:	MIL-STD-202F, Method 204D Cond. B
Altitude:	MIL-STD-202F, Method 105C Cond. B
Temperature Cycle:	MIL-STD-202F, Method 107D Cond. A

Mechanical Outline(Inches) :



Medium Power Amplifier CMP-26G40G-3030-K			
DRAWN:	DWG NO.:	REV CODE: Rev.2.0	CONNPHY Microwave Inc. www.connphy.com sales@connphy.com
CHECKRD:	DATE: 08/01/18	SHEET : 1 OF 1	
ISSUED:	SIZE: A	SCALE : N / A	
			Notes: SPEC ARE SUBJECT TO CHANGE WITHOUT NOTICE.