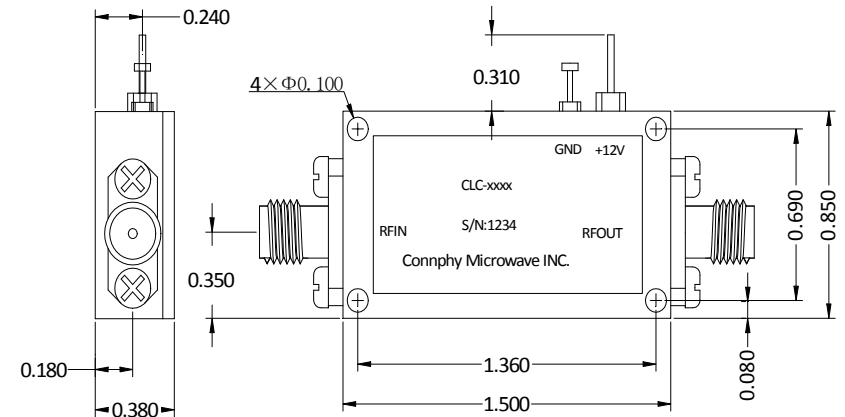
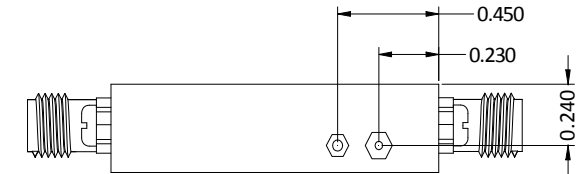


CLC-1G4G-3715-S is a Low Noise Amplifier providing a gain of 37 dB with a noise figure of 1.5 dB. The compact size and modularity makes it ideal for a wide range of applications.

Features:

- Frequency Range: 1.0-4.0 GHz
- Low VSWR, unconditional stable
- Small size, low cost
- SMA female connector I/O

Mechanical Outline(Inches) :



Specifications:

Frequency:	1.0 GHz- 4.0 GHz
Gain:	37 dB Typ, 35 dB Min
Gain Flatness:	±0.75 dB Typ, ± 1.0 dB Max
Noise Figure:	1.5 dB Typ, 1.8 dB Max
Output P1dB:	14 dBm Min
Output IP3:	23 dBm Min
VSWR Input:	2.0:1 Max
VSWR Output:	2.0:1 Max
Spurious:	-60 dBc Max
DC Voltage:	+11 V to +13 V DC
DC Supply Current:	120 mA Typ
RF Connector:	SMA Female

Environmental Ratings:

Temperature:	-40°C to +75 °C Operating -55 °C to +125 °C Non-Operating
Vibration:	MIL-STD-202F, Method 204D Cond. B
Altitude:	MIL-STD-202F, Method 105C Cond. B
Temperature Cycle:	MIL-STD-202F, Method 107D Cond. A

Low Noise Amplifier CLC-1G4G-3715-S			
DRAWN:	DWG NO.:	REV CODE: Rev.1.0	 www.connphy.com sales@connphy.com
CHECKRD:	DATE: 14/05/15	SHEET : 1 OF 1	
ISSUED:	SIZE: A	SCALE : N / A	
			Notes: SPEC ARE SUBJECT TO CHANGE WITHOUT NOTICE.